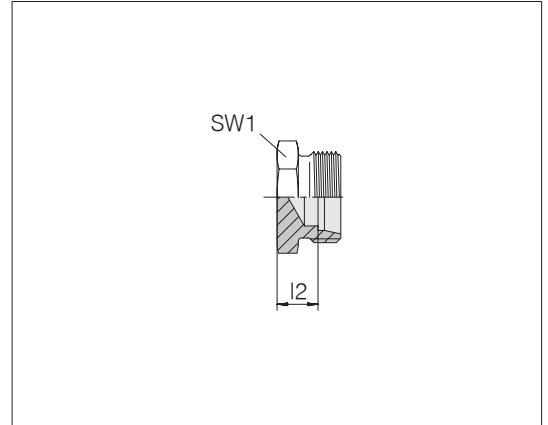


## Plugs

Tube coupling: 24° in acc. with ISO 8434-1



Series	Tube OD	Pressure	l2	SW1	kg/100 ca.	Order-No.	Designation
L	6	PN 315	7	12	0.8	0793342000	24-TBS-L6
L	8	PN 315	8	14	1.2	0793352000	24-TBS-L8
L	10	PN 315	9	17	1.6	0793362000	24-TBS-L10
L	12	PN 315	10	19	2.2	0793372000	24-TBS-L12
L	15	PN 315	11	24	3.8	0793382000	24-TBS-L15
L	18	PN 315	11.5	27	5.4	0793392000	24-TBS-L18
L	22	PN 160	13.5	32	7.7	0793402000	24-TBS-L22
L	28	PN 160	14.5	41	13.3	0793412000	24-TBS-L28
L	35	PN 160	14.5	46	20.1	0793422000	24-TBS-L35
L	42	PN 160	18.5	55	34.0	0793432000	24-TBS-L42
S	6	PN 630	11	14	1.6	0793442000	24-TBS-S6
S	8	PN 630	13	17	2.6	0793452000	24-TBS-S8
S	10	PN 630	12.5	19	3.1	0793462000	24-TBS-S10
S	12	PN 630	14.5	22	4.5	0793472000	24-TBS-S12
S	14	PN 630	16	24	5.9	0793482000	24-TBS-S14
S	16	PN 400	15.5	27	6.8	0793492000	24-TBS-S16
S	20	PN 400	17.5	32	12.0	0793502000	24-TBS-S20
S	25	PN 400	20	41	21.3	0793512000	24-TBS-S25
S	30	PN 400	20.5	46	28.1	0793522000	24-TBS-S30
S	38	PN 315	23	55	49.8	0793532000	24-TBS-S38

Example for comp. :  
ROV06LX